

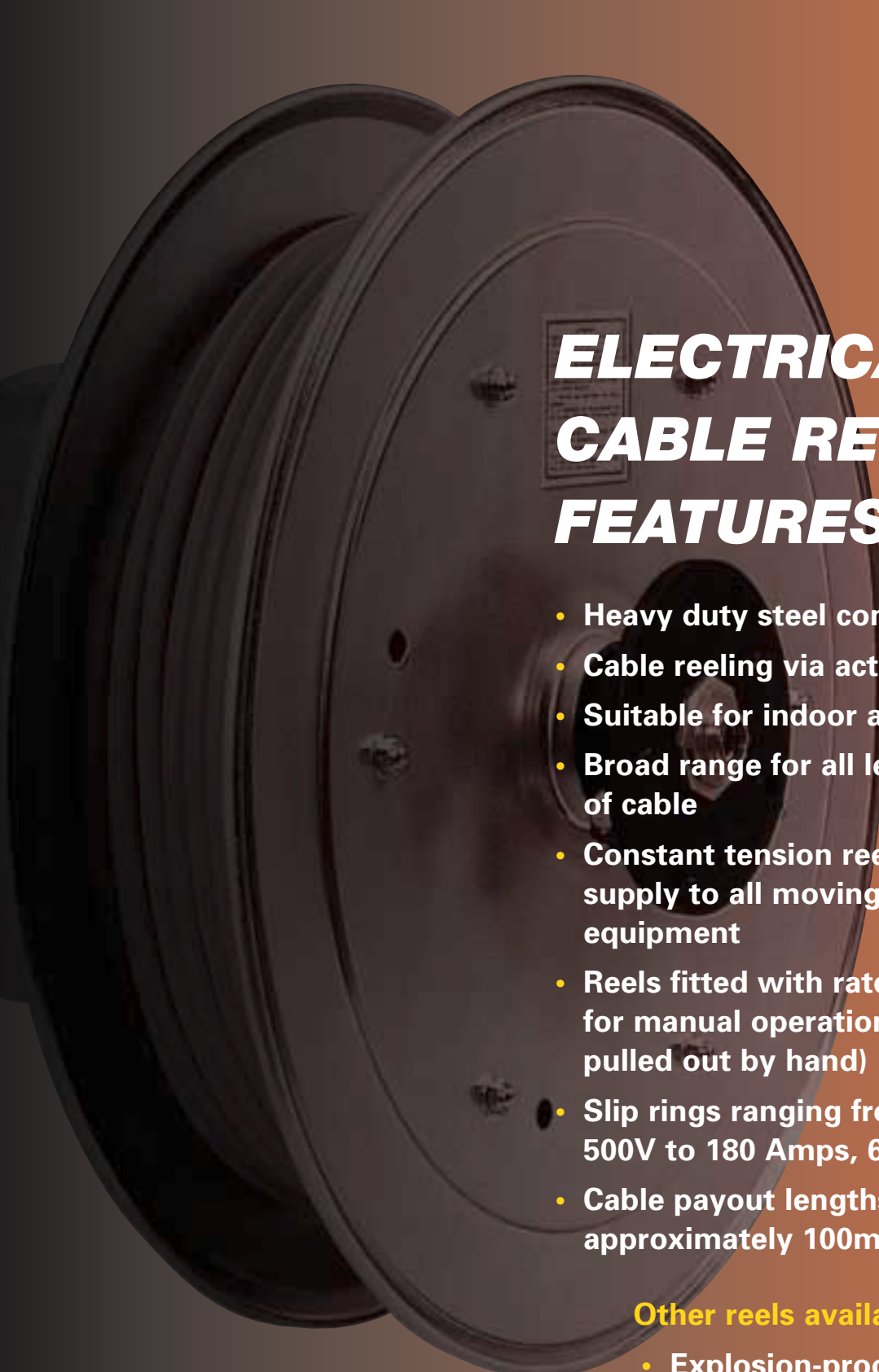
INDUSTRIAL SPRING REELS



CONDUCTIX
INSUL 8

© DELACHAUX GROUP

www.conductix.com.au



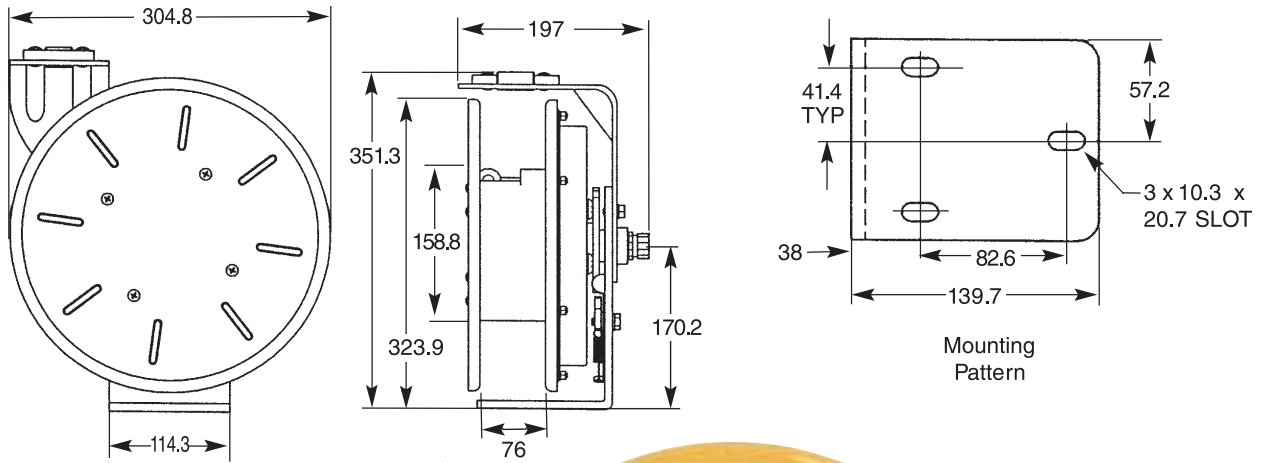
ELECTRICAL CABLE REEL FEATURES

- Heavy duty steel construction
- Cable reeling via action of coil springs
- Suitable for indoor and outdoor usage
- Broad range for all lengths and sizes of cable
- Constant tension reels for power supply to all moving industrial equipment
- Reels fitted with ratchet mechanism for manual operation (where cable is pulled out by hand)
- Slip rings ranging from 24 Amp, 500V to 180 Amps, 690V
- Cable payout lengths up to approximately 100m in cable retrieve

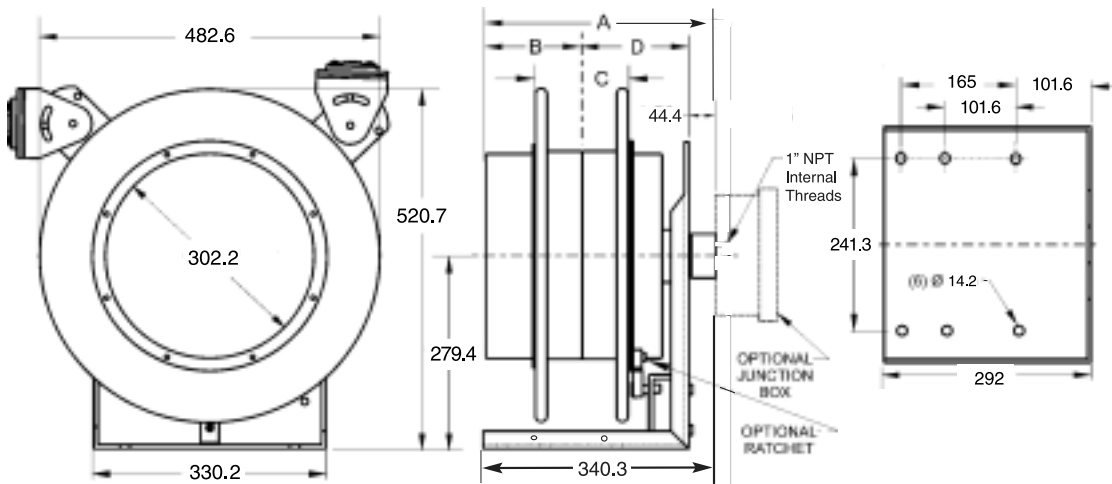
Other reels available:

- Explosion-proof reels
- Hand wind reels
- Static discharge reels
- Torque reels
- Spring-operated hose reels

1200 SERIES

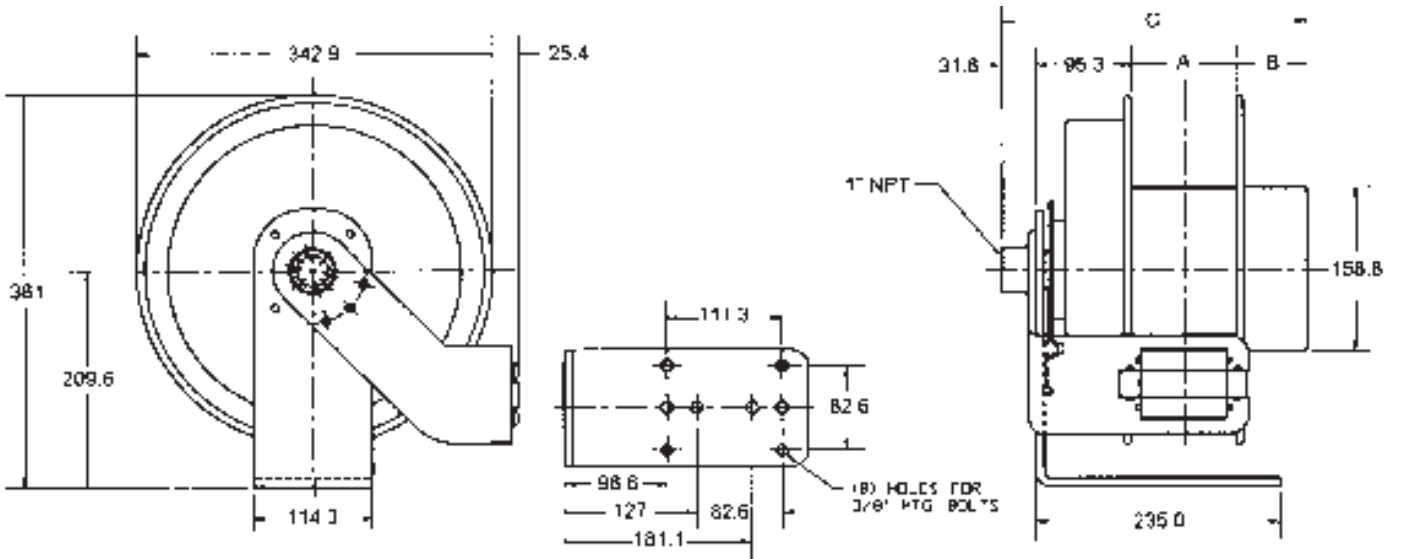


1900 SERIES



Dimensions A through D will vary with selected reel and can be provided with quote.

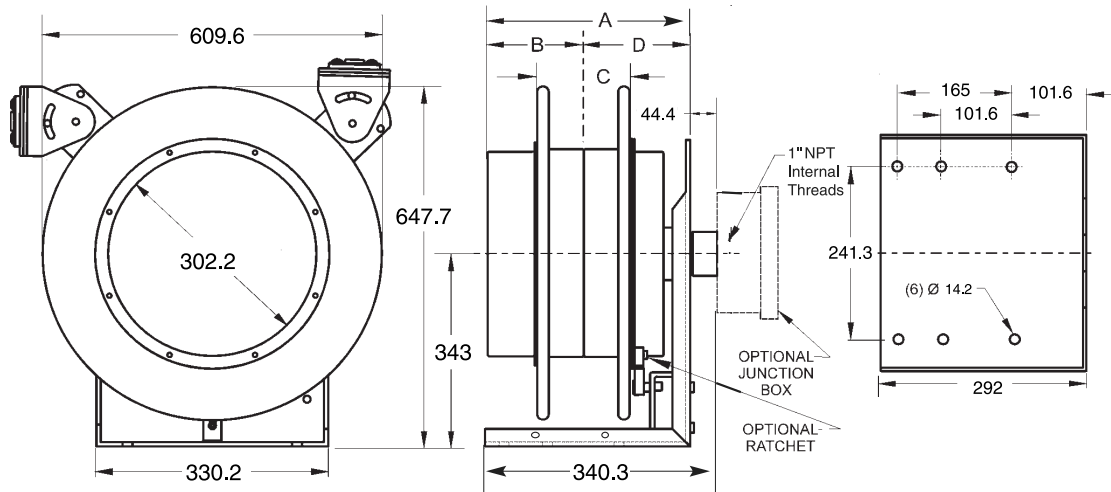
1400 SERIES



DIMENSIONS

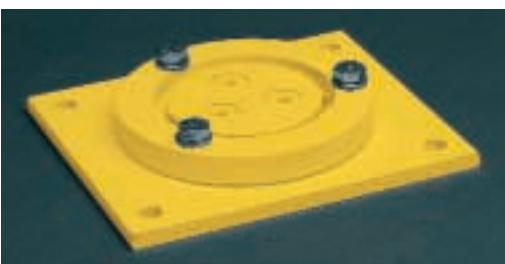
| NO. OF SLIP RINGS | STANDARD SPOOL (PB) | | | WIDE SPOOL (PC) | | |
|-------------------|---------------------|-------|-------|-----------------|-------|-------|
| | A | B | C | A | B | C |
| 4 | 114.3 | 88.9 | 330.2 | 152.4 | 88.9 | 368.3 |
| 6, 8 | 114.3 | 165.1 | 406.4 | 152.4 | 127.0 | 406.4 |
| 12 | 114.3 | 215.9 | 457.2 | 152.4 | 152.4 | 431.8 |

2400 SERIES



Dimensions A through D will vary with selected reel and can be provided with quote.

ACCESSORIES



Pivot Base For 330° rotation of reel



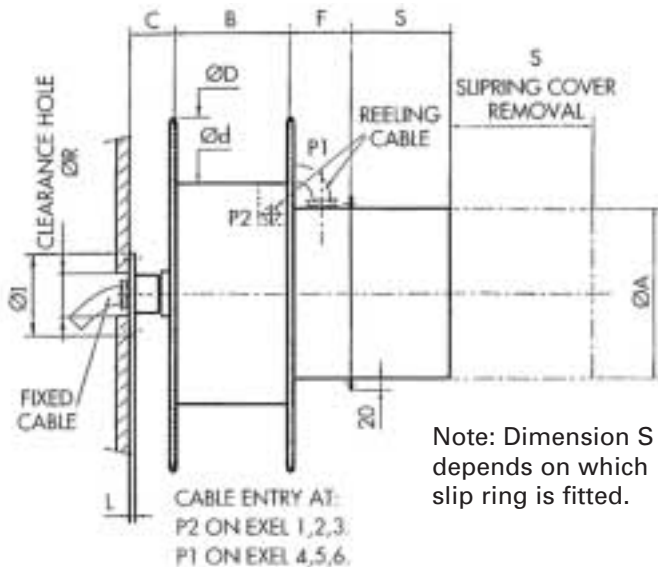
Cable Grips

To relieve strain on cable terminations

EXEL REELS

Ideal for mobile machines and longer payout lengths

- EXEL reels feature flange mounting for connection to vertical mounting plate
- Suited for use on mobile machines for automatic (ie, constant tension) operations
- Suitable for reeling speeds up to 80m/min and acceleration up to 0.3m/s²
- Extremely wide range of options available



Standard 'flange-mount' EXEL reel

GENERAL DIMENSIONS

| Type | DRUM | | | | | |
|--------|------|-----|-----|-----|-----|-----|
| | ØD | Ød | B | C | ØA | F |
| EXEL 1 | 340 | 180 | 105 | 65 | 235 | 0 |
| EXEL 2 | 390 | 220 | 115 | 80 | 220 | 0 |
| EXEL 3 | 470 | 300 | 130 | 80 | 300 | 0 |
| EXEL 4 | 540 | 350 | 150 | 80 | 300 | 100 |
| EXEL 5 | 630 | 390 | 200 | 80 | 300 | 100 |
| EXEL 6 | 800 | 480 | 260 | 100 | 300 | 100 |

Slip rings:

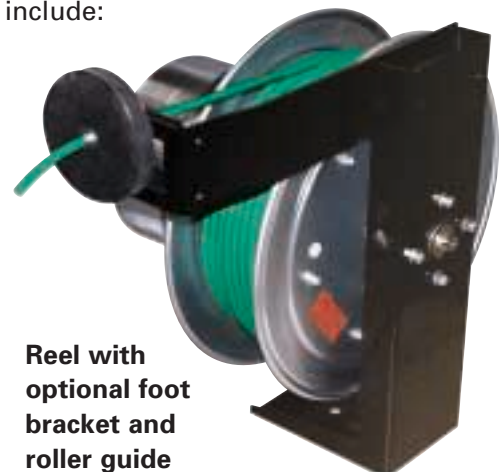
Power slip rings: 50A, 80A, 125A, 180A, 690V rated.
Control slip rings: 24A, 500V rated. From 3 to 42 rings (including earth).

Standard rings are copper alloy with double copper graphite brushes.

Plated control slip rings for low current / low voltage signal applications → silver or gold or palladium plating with double silver graphite brushes.

A wide range of optional accessories/features are available to suit various types of applications and harsh operating environments. These include:

- Foot mounting bracket [SE]
- Roller guide arm [BR]
- Ratchet mechanism [K]
- Swivel mount bracket [SP] (includes SE/BR)
- Rotary limit switch (housed in slip ring enclosure)
- Epoxy painted finish
- Stainless steel exterior hardware
- Slip ring anti-condensation heater
- Slip ring sealed to IP66 (standard sealing IP55)



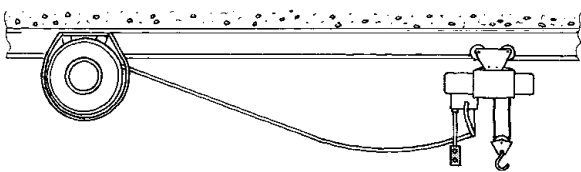
Reel with optional foot bracket and roller guide

SELECTING THE RIGHT CABLE REEL

To assist us in selecting the best cable reel for your application, please specify all the following information at the time of enquiry:

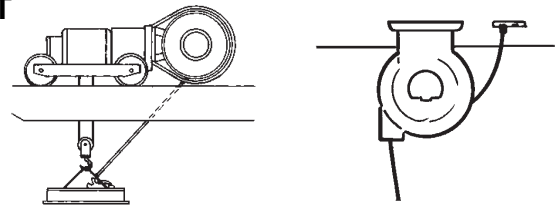
- **The reel application: STRETCH, LIFT, DRAG, or RETRIEVE**
- **If the reel operation is MANUAL** (ie, cable is pulled out by hand) **or AUTOMATIC** (ie, cable is pulled out by machine action)
- **If application is End Feed** (ie, one way only from feed point) **or Centre Feed** (ie, either side of feed point)
- **The cable required** (ie, number of cores and core size in mm², or alternatively current rating required)
- **The required cable payout length**
- **The mounting height of reel** (ie, centre of reel to ground level)
- **The travel speed of machine** (for automatic operation)
- **The duty cycle of the reel** (ie, the number of operations per day)
- **The type of environment** (ie, indoor, outdoor, corrosive, maximum ambient temperature, etc.)
- **The preferred mounting arrangement** (ie, flange-mounted or foot bracket-mounted or pivoting)
- **Any options required** (ie, roller guide, ratchet, cable grip, or any special environmental protection features, etc.)

STRETCH



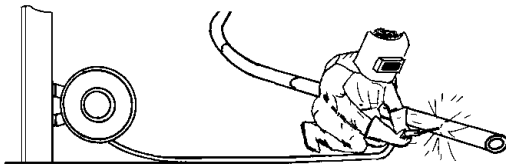
The cable is 'stretched' horizontally and is unsupported. The reel may be stationary mounted or mounted onto moving equipment. Cable is pulled out by machine. An extra 10% of cable beyond active travel is required for cable sag.

LIFT



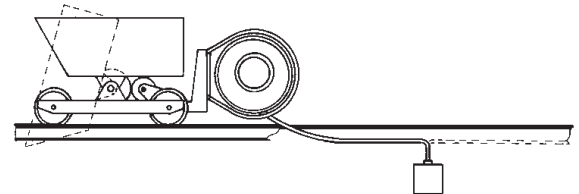
The reel needs to 'lift' the cable vertically. The reel is usually stationary. Cable is pulled out of the reel by machine or by hand (as with an overhead light source or a pendant station).

DRAG



The reel needs to 'drag' the cable through supports or along the ground horizontally. The reel is usually stationary. Cable can be pulled out by hand or by machine. Note: This application is the hardest on cable life.

RETRIEVE



The reel needs to pick up ('retrieve') the cable. The reel is mounted on moving equipment. Cable is pulled out by machine.

VICTORIA Head Office
14 England Street, Dandenong,
Victoria 3175, Australia
Tel: 61 3 9706 8844
Fax: 61 3 9794 9298
Email: info@conductix.com.au

NEW SOUTH WALES
4/77 Newton Road, Wetherill Park,
New South Wales 2164, Australia
Tel: 61 2 9604 9800
Fax: 61 2 9604 9844
Email: info@conductix.com.au

QUEENSLAND
52 Lysaght Street, PO Box 6211,
Acacia Ridge, Queensland 4110, Aust.
Tel: 61 7 3219 6911
Fax: 61 7 3344 5377
Email: info@conductix.com.au

WESTERN AUSTRALIA
592 Albany Highway, Victoria Park,
Western Australia 6100, Australia
Tel: 61 8 9355 2077
Fax: 61 8 9355 2088
Email: info@conductix.com.au

Your local CONDUCTIX distributor is:

CONDUCTIX
INSUL 8

Ⓞ DELACHAUX GROUP

www.conductix.com.au